

D-180574 TELEPHONE SET

1. GENERAL

1.01 This section contains identification, installation, maintenance, and connection information for the D-180574 Coin Decorator telephone set (Fig. 1).

2. IDENTIFICATION

Design Features

2.01 The set is a modified 236G coin collector. The following items have been removed.

- Information card holders and apparatus blank.
- Gong signal and chute assembly
- 452B capacitor
- Coin chute stop
- Coin relay assembly
- Coin trap and associated parts
- 1A backplate
- Coin vault spring

2.02 The starwheels on rear of coin guide have been cut off to provide clearance for adding dummy chute (Fig. 2). Die cast webs across 5 and 10 cent guides have also been removed.

2.03 The handset with armored cord has been replaced with a G3A6-type handset with 6-foot retractable cord (Fig. 1).

2.04 The coin vane has been made stationary in the collect position by installing a No. 10 by 1-inch sheet metal screw through hopper (Fig. 3).

2.05 The KS-19277 lock has been made inoperative.

2.06 A D-180573 Kit of Parts completes the redesign of the set (Fig. 4) as follows:

- (a) The L-170394 plate replaces the coin chute.
- (b) An L-170397 wooden block (Fig. 3) prevents coins from falling into the return chute.
- (c) Dummy locks (840696942 and 840696959), which can be operated with a screwdriver or equivalent, are used in the upper housing and cash compartment door, respectively.
- (d) A No. 10-32 by 3-inch RHM screw, No. 10-32 hex nut, and two No. 10-32 elastic stop nut are used to mount the bell in the cash compartment.
- (e) A 9-inch long sash chain is used to anchor the cash compartment door to the set.

2.07 All coins deposited will fall directly into the cash compartment.

Markings

2.08 Markings 236G-3, 236G-51, or 236G-60 have been removed and D-180574 stamped in the same relative location. The letters CS, which indicate customer sales, have been stamped on the backplate adjacent to the vault area.

Ordering Information

2.09 Set, Telephone, D-180574 [Specify color; -03 (black), -51 (green), -60 (light beige)]

2.10 Replaceable Components

- (a) P-89E500* Lower Housing, consisting of:
 - P-15E011 bucket assembly

SECTION 503-200-113

- 1A-type* coin collector door
 - 840696942 dummy lock
- (b) Modified P-89E000* Upper Housing, consisting of:
- 6C-3 or 6M-3 dial†
 - P-29E299 terminal plate assembly
 - 4010B network
 - P-29E302 connector assembly
 - P-12A674 plunger
 - P-16A760 hinge assembly
 - 840696959 dummy lock
- (c) P-89E100* Backplate Assembly, consisting of:
- P-29E307 ringer assembly
 - P-16A741 switchhook arm assembly
 - P-29E182 switchhook spring assembly
 - P-12E855 switchhook assembly or D-180009 switchhook kit
 - P-44E616 bracket and connector assembly
 - G3A6-type* handset

*The last two digits specify color suffix code used [-03 (black), -51 (green), or -60 (light beige)].

†The 6C-3 dial is used with a black set. The 6M-3 dial is used with a green or light beige set.

3. INSTALLATION

3.01 To install the set on a horizontal surface such as a table or counter top, use a 139A backboard.

3.02 To install the set on a wall, use a 174A backboard.

- Install backboard on a wall with top edge 63 inches from floor or at a height specified by the customer

- Use hardware for securing backboard per Table A

3.03 Install set on backboard using a minimum of seven 1/4-20 by 5/8 RH machine screws (P-23F790).



Remove handset from switchhook before removing or replacing upper housing to avoid damage to the gate operating arm.

3.04 Connect Tip and Ring to set per Fig. 5.

4. MAINTENANCE

4.01 Observe READ after 3.03.

4.02 Perform maintenance on the decorator set in accordance with local procedures.

5. CONNECTIONS

5.01 Refer to Fig. 5 for complete connection diagram.

TABLE A
MOUNTING REQUIREMENTS FOR 174A BACKBOARD

MTG SURFACES	HOLE SIZE REQUIRED	FASTENERS	
		SIZE AND TYPE	MINIMUM QUANTITY
Soft Wood	1/8-in. or No. 30	1-3/4 in. No. 14 RH tapping or wood screw	8
Hard Wood		1-1/4 in. No. 14 RH tapping or wood screw	
Masonry*	1/2-in.	1/4-20 by 1-1/2 in. RH machine screw in 1/4 by 1-1/4 in. expansion shield	
Plaster Board and Plaster on Lath†	1/8-in. or No. 30	1-3/4 in. No. 14 RH tapping or wood screw; secure in a stud a minimum of 1 inch	7
Plaster on Cinder Block, Hollow Tile, Metal Lath	3/4-in.	1/4 by 4-inch RH toggle bolt‡	

* When mounting on plastered masonry, install expansion shield below plastered surface by amount equal to thickness of plaster and use 1/2-inch longer machine screw than specified in Table.

† When mounting on plasterboard, plaster on lath, etc, fasteners must be located in a stud and embedded at least 1 inch.

‡ When using toggle bolts, cut off excess length.

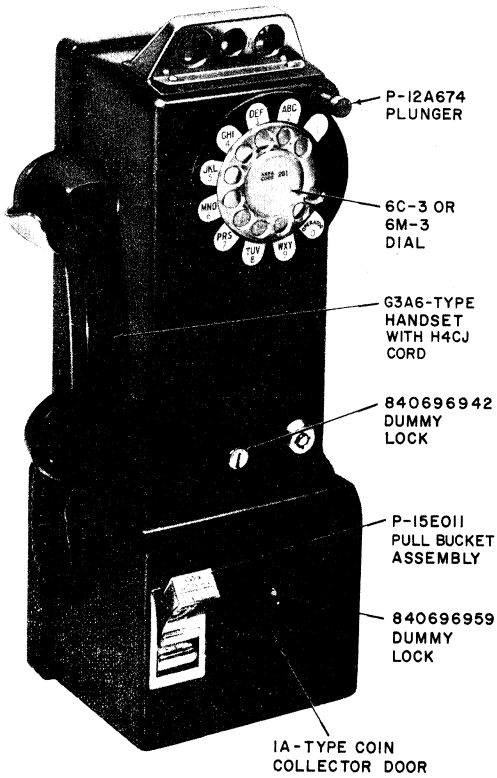


Fig. 1—D-180574 Coin Decorator Telephone Set

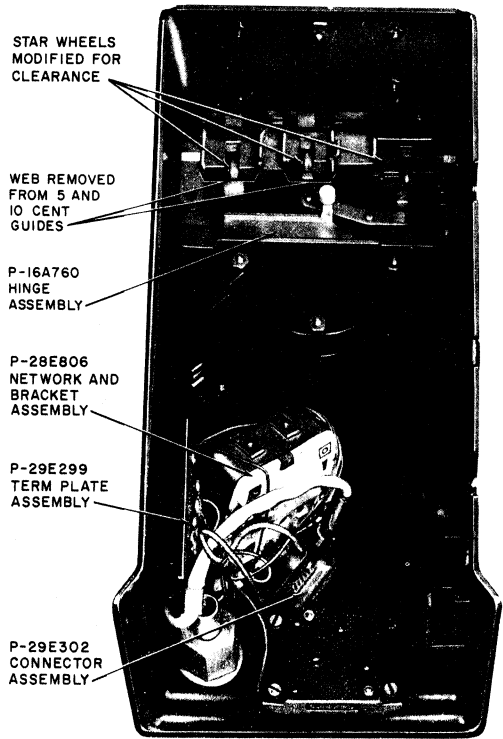


Fig. 2—Upper Housing With Gong Signal and Chute Assembly Removed

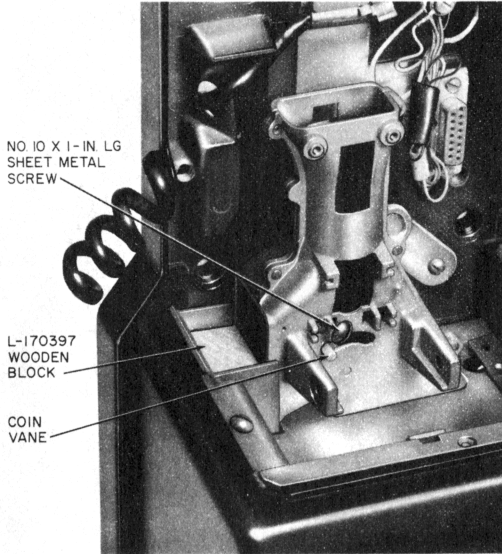


Fig. 3—Partial View of Lower Housing

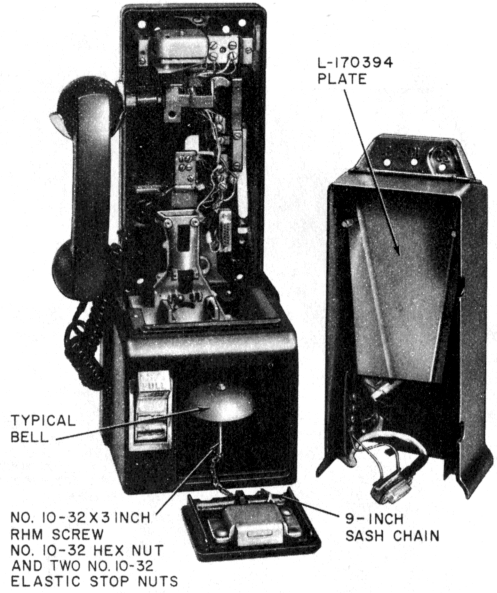


Fig. 4—Decorators Set Showing D-180573 Kit of Parts Installed

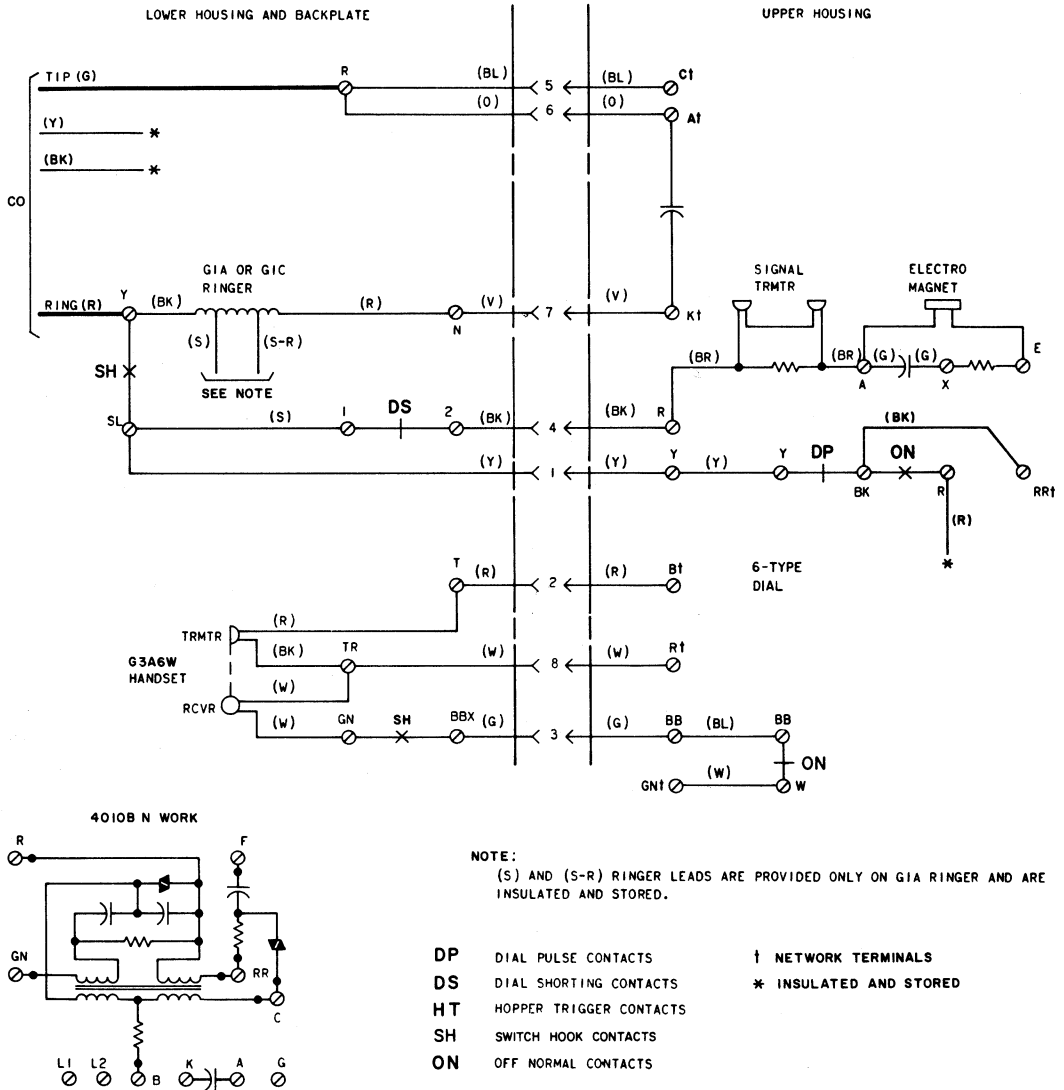


Fig. 5—D-180574 Coin Decorator Telephone Set—Connections